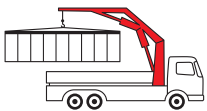


PK 2900

Performance

PALFINGER CRANE

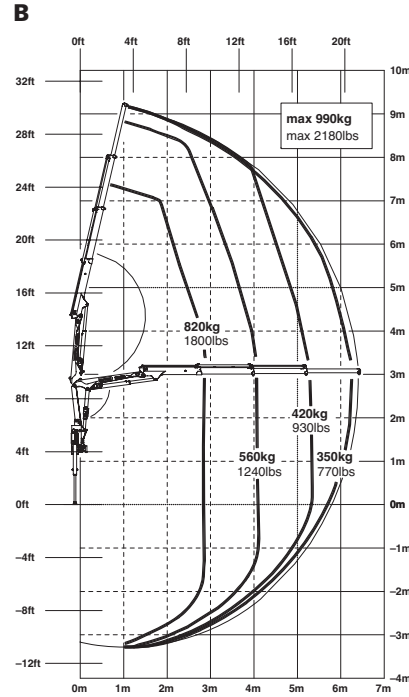
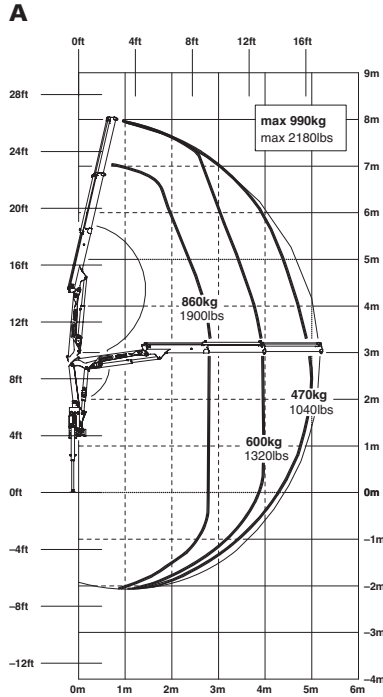


Compact and versatile

Thanks to a crane width of only 1600 mm, it is possible to mount this crane even on narrow vehicles. Its particular strengths lie in its ability to assist with loading and unloading in the building materials trade or in horticulture. The completely reworked control valve reduces the pressure peaks acting on the crane even at full load. As a result, this significantly increases safety during operation of the crane and prolongs the crane's service life.

The lightest in its class

PK 2900 Performance



Technical Specifications (EN 12999 H1-B2)

| | | |
|-------------------------|-----------------|--------------|
| Max. lifting moment | 2.5 mt/4.5 kNm | 18090 ft.lbs |
| Max. lifting capacity | 990 kg/9.7 kN | 2180 lbs |
| Max. hydraulic outreach | 6.4 m | 20' 12" |
| Slewing angle | 370 ° | |
| Slewing torque | 0.30 mt/3.1 kNm | 2290 ft.lbs |

| | | |
|-------------------------------|----------|-----------------|
| Stabilizer spread | 3.3 m | 10' 10" |
| Fitting space required (std.) | 0.44 m | 1' 5" |
| Width folded | 1.6 m | 5' 3" |
| Max. operating pressure | 250 bar | 3625 psi |
| Recommended pump capacity | 10 l/min | 2.6 US gal./min |
| Dead weight (std.) | 374 kg | 820 lbs |

